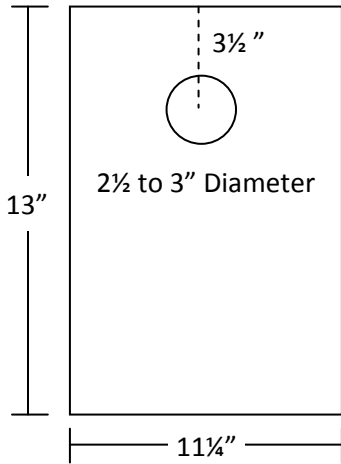


Squirrel Nest Box

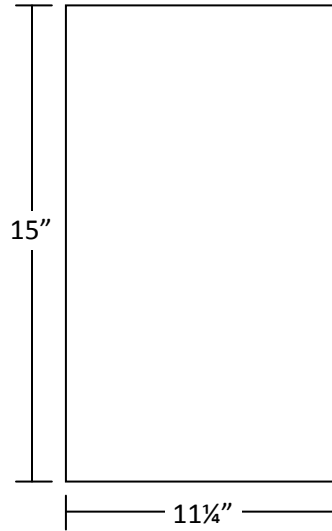


Front

A 3" ledge mounted just below the entrance hole on the inside allows baby squirrels easier accessibility and protects them from predators.

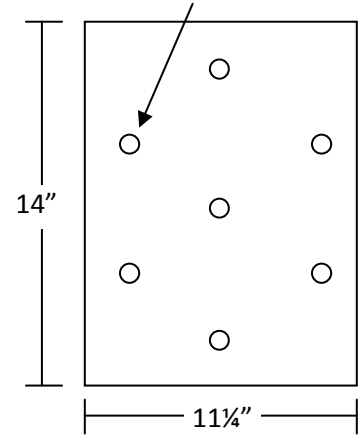


Back



Bottom

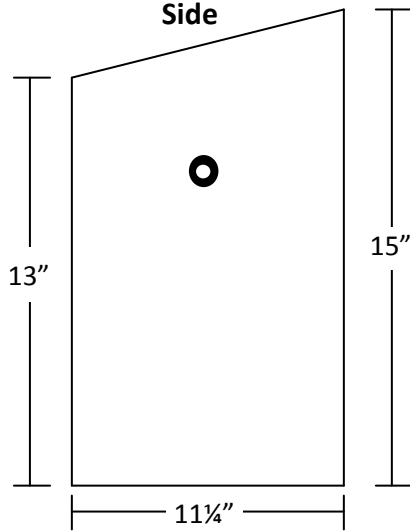
Drilled 3/16" holes for air circulation and drainage.



Overhang for small porch.

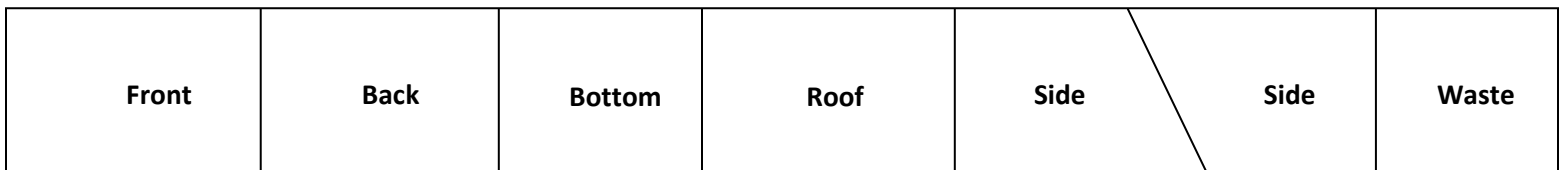
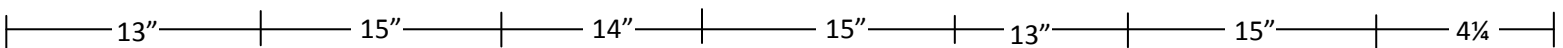
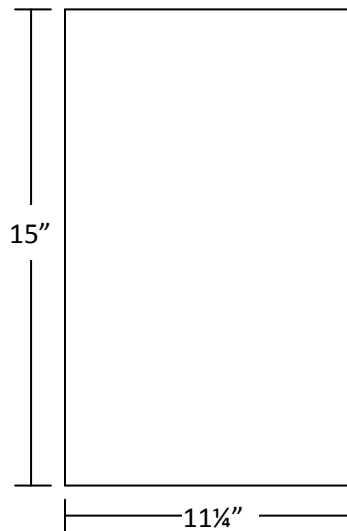
Side

Eye bolts with chains and hooks mounted on each side are used to hang the nest box without harming the tree.



Roof

Roof should be hinged to the back to allow for easy cleaning. Optional shingles provide extra drainage and protection.



1 piece of 1" x 12" x 8' untreated lumber
(actual dimensions are 3/4" x 11 1/4" x 8')