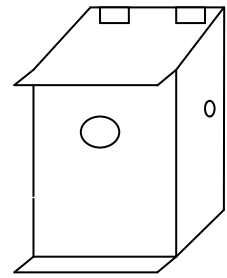
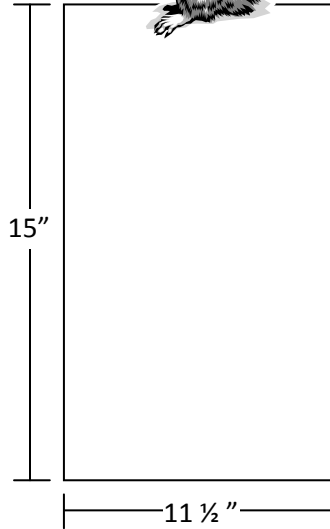
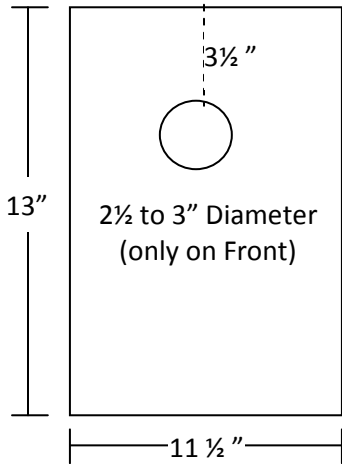


Squirrel Nest Box



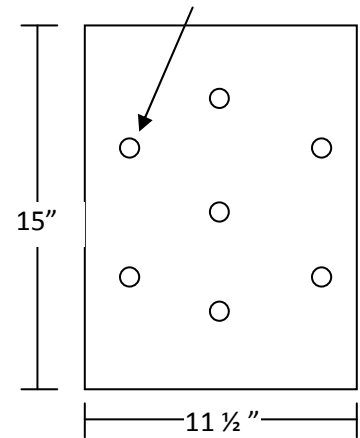
FRONT

A 3" ledge mounted just below the entrance hole on the inside allows baby squirrels easier accessibility and protects them from predators.



BOTTOM

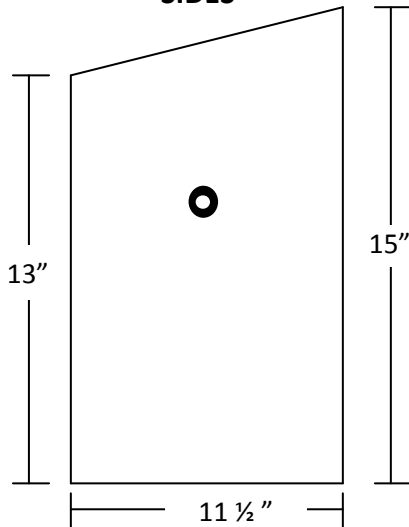
Drilled 3/16" holes for air circulation and drainage.



Overhang for small porch.

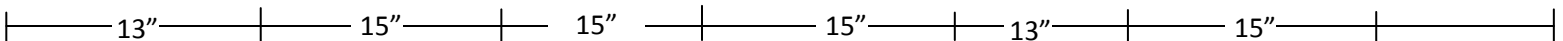
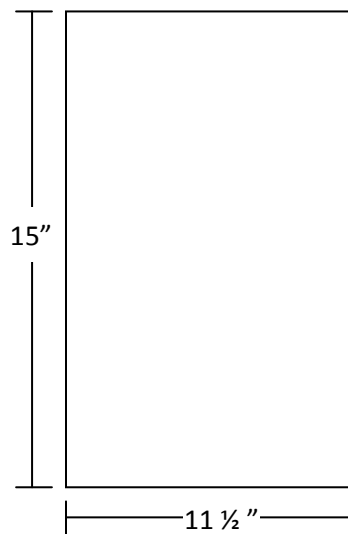
SIDES

Eye bolts with chains and hooks mounted on each side are used to hang the nest box without harming the tree.



ROOF

Roof should be hinged to the back with 2 - 3" hinges to allow for easy cleaning. Shingles provide extra drainage and protection and need to extend 1/2" over sides and front.



Front	Back	Bottom	Roof	Side	Side	Waste
-------	------	--------	------	------	------	-------

1 piece of 1" x 12" x 8' pine lumber
(actual dimensions are 1" x 11 1/2" x 8')